

# Built-In Induction Range

Model # SR-181R



## Technical Data

Part No: SR-181R	Operating voltage: 110-120v	Heating Power 1800W	Hz: 60	Amperage: 15.0	Dimensions: 12-5/8" x 13-3/8" x 4-3/8"
Weight: 8.5 lbs.	Power cord: 6', 3 prong	Approvals: FCC, ETL, ETL to NSF4, CETL			NEMA Plug: 5-15

*Note: Specifications are subject to change without notice, please refer to website for the latest specifications  
One-year warranty on parts and labor.*

**Spring**  
USA



## COUNTER TOP INSTALLATION INSTRUCTIONS

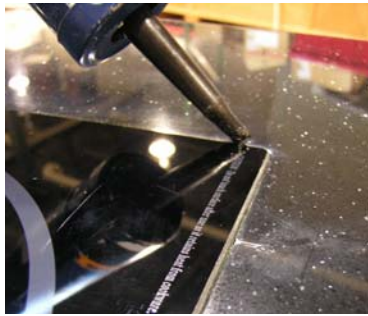
1. *Cut the Countertop opening to the size of the glass top surface.*
2. *Cut the underlayment to the size of the body of the range.*



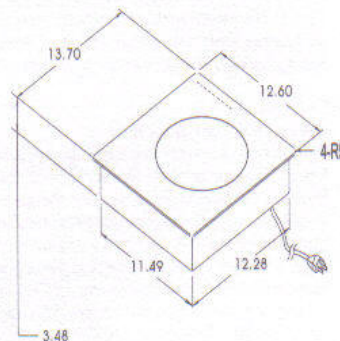
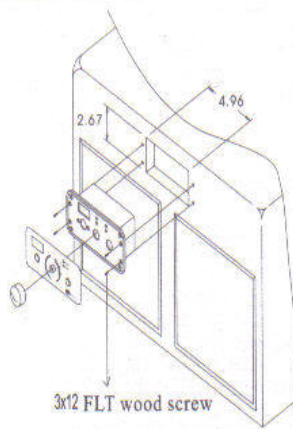
3. *Mount a screw in each corner to serve as a leveling device.*



4. *After the Range is leveled, use a small strip of black silicon rubber sealant around each side of the range to lock it in place.*



### Installation



**SPRING USA Corp. 127 Ambassador Dr, Ste 147, Naperville, IL 60540,  
1-800-535-8974 [www.springusa.com](http://www.springusa.com)**