

# Built-In Induction Range

Model # SR-261R



## Technical Data

<b>Part No:</b>	SR-261R	<b>Operating Voltage:</b>	208-220V
<b>Heating Power:</b>	2600W	<b>Amperage:</b>	11.8
<b>Hz:</b>	50/60	<b>Weight:</b>	8.5 lbs.
<b>Power chord:</b>	6', 3 prong		
<b>NEMA Plug:</b>	6-20		
<b>Dimensions:</b>	12-5/8" x 12-3/8" x 4-3/8"		
<b>Approvals:</b>	FCC, ETL, ETL TO NSF4, CETL		

Note: Specifications are subject to change without notice, please refer to website for the latest specifications.  
One-year warranty on parts and labor.

**Spring**  
USA

127 Ambassador Dr. #147 Naperville, IL 60540 Phone: 800-535-8974 Fax: 630-527-8677  
www.springusa.com

## COUNTER TOP INSTALLATION INSTRUCTIONS

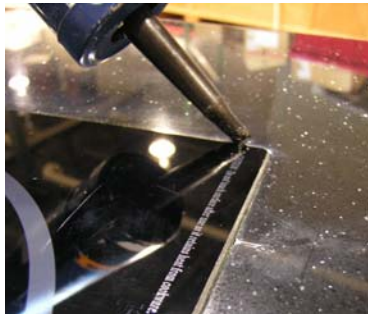
1. *Cut the Countertop opening to the size of the glass top surface.*
2. *Cut the underlayment to the size of the body of the range.*



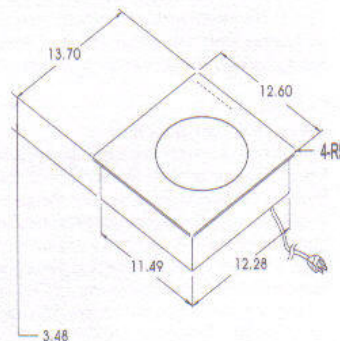
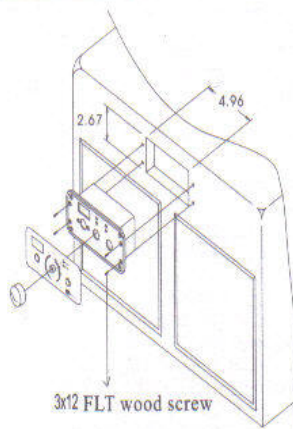
3. *Mount a screw in each corner to serve as a leveling device.*



4. *After the Range is leveled, use a small strip of black silicon rubber sealant around each side of the range to lock it in place.*



### Installation



Install in kitchen counter. Unit : inch.

**SPRING USA Corp. 127 Ambassador Dr, Ste 147, Naperville, IL 60540,  
1-800-535-8974 [www.springusa.com](http://www.springusa.com)**