

Built-In Induction Range

Model # SR-263R International Model



Technical Data

Part No:	SR-263R	Operating Voltage:	220-240V
Heating Power:	2600W	Amperage:	11.8
Hz:	50	Weight:	3.85 kg.
Power chord:	6', 3 prong		
NEMA Plug:	Standard EC Schuko Plug		
Dimensions:	339.725mm x 320.675mm x 111.125mm		
Approvals:	FCC, ETL, ETL TO NSF4, CETL		

Note: Specifications are subject to change without notice, please refer to website for the latest specifications.
One-year warranty on parts and labor.

Spring
USA

127 Ambassador Dr. #147 Naperville, IL 60540 Phone: 800-535-8974 Fax: 630-527-8677
www.springusa.com

COUNTER TOP INSTALLATION INSTRUCTIONS

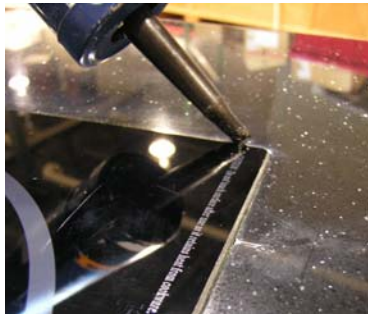
1. *Cut the Countertop opening to the size of the glass top surface.*
2. *Cut the underlayment to the size of the body of the range.*



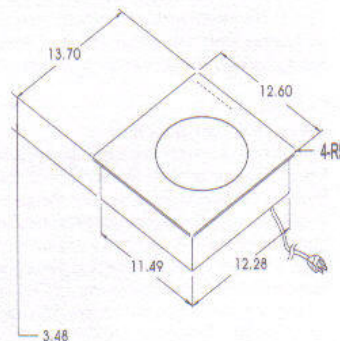
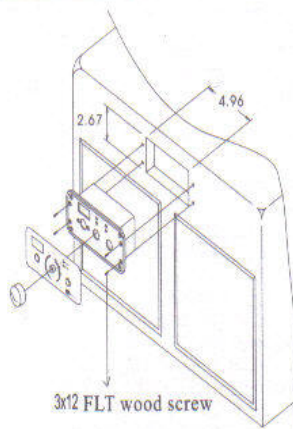
3. *Mount a screw in each corner to serve as a leveling device.*



4. *After the Range is leveled, use a small strip of black silicon rubber sealant around each side of the range to lock it in place.*



Installation



Install in kitchen counter. Unit : inch.

**SPRING USA Corp. 127 Ambassador Dr, Ste 147, Naperville, IL 60540,
1-800-535-8974 www.springusa.com**